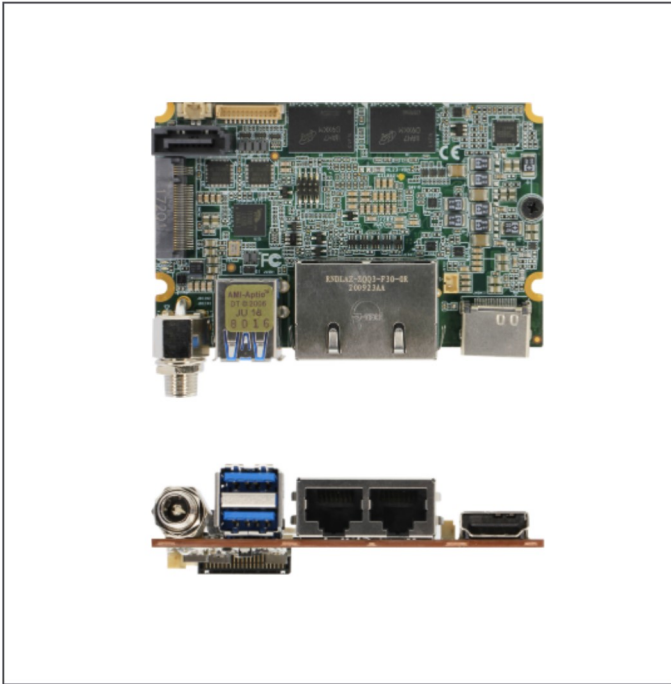


de next-V2K8

86 x 55mm Single Board with AMD Ryzen™ Embedded V2000 Series Processor



Specifications

SYSTEM	
FORM FACTOR	86mm x 55mm, Single board computer
CPU	AMD Ryzen™ Embedded V2718 with Radeon™ Graphics , AMD Ryzen™ Embedded V2516 with Radeon™ Graphics
CPU TDP	10W, TDP-up to 25W : V2718 / V2516
CHIPSET	Integrated with AMD Ryzen™ Embedded SoC
MEMORY TYPE	Onboard LPDDR4x 3200, up to 16GB
BIOS	UEFI
WAKE ON LAN	Yes
WATCHDOG TIMER	255 Levels
SECURITY	fTPM
RTC Battery	Lithium Battery 3V/240mAh
DIMENSION (L X W)	3.38" x 2.17" (86 mm x 55 mm)
POWER	
POWER REQUIREMENT	DC in +12V
POWER SUPPLY TYPE	AT/ATX
CONNECTOR	DC Jack (Optional : 2pin Phoenix Connector)
POWER CONSUMPTION	AMD Ryzen™V2718 Processor, LPDDR4 3200MHz16GB, 3.92A@12V, 47.04W during full loading test (Peak) AMD Ryzen™V2718 Processor, LPDDR4 3200MHz16GB, 3.07A@12V, 36.84W during full loading test (Steady)
DISPLAY	
CONTROLLER	AMD Radeon™ Graphics
LVDS/eDP	eDP only, up to 3840 X 2160 Resolution
Display Interface	eDP x 1 HDMI 1.4b x 1
Multiple Display	Up to 2 Simultaneous Displays
AUDIO	
CODEC	—
AUDIO INTERFACE	—
Speaker	—
EXTERNAL I/O	
ETHERNET	REALTEK RTL8111H, 10/100/1000Base,RJ-45 x1 , Intel® i225LM, 10/100/2500Base,RJ-45 x1
USB	USB3.2 Gen 2 x 2 (Type A)
SERIAL PORT	—
VIDEO	HDMI 1.4b x 1
INTERNAL I/O	
USB	USB2.0 x 4 (pin header)
SERIAL PORT	COM Port (RS232/422/485) x 2 (pin header)

Features

- Onboard AMD Ryzen™ Embedded V2000 Processor
- Onboard LPDDR4x 3200 up to 16GB
- HDMI 1.4b x 1, eDP x 1
- 2.5 GbE RJ45 x 1 , GbE RJ45 x 1
- USB 3.2 Gen2 x 2 , USB 2.0 x 4
- M.2 M key 2280 (PCIe[x2]) x 1 ,PCIe[x4] Gen3 x 1 (by FPC)
- COM Port x 2 , DIO 8 bit , SATA 3 x 1
- DC Jack. 12V in

VIDEO	eDP x 1
SATA	SATA3 x 1 +5V SATA Power Connector x 1
AUDIO	—
DIO/GPIO	8-Bit (pin header)
SMBus/I2C	Optional
Touch	—
FAN	Smart Fan x1
SIM	—
Front Panel	HDD LED, PWR LED, Power Button, Buzzer, Reset
Others	—
EXPANSION	
Mini PCI-E/mSATA	—
M.2	M-Key 2280 x 1 (PCIe[x2])
Others	—
ENVIRONMENT & CERTIFICATION	
OPERATING TEMP	32°F ~ 140°F (0°C ~ 60°C)
STORAGE TEMP	-40°F ~ 176°F (-40°C ~ 80°C)
OPERATING HUMIDITY	0% ~ 90% relative humidity, non-condensing
MTBF (HOURS)	609,263
EMC	CE/FCC Class A

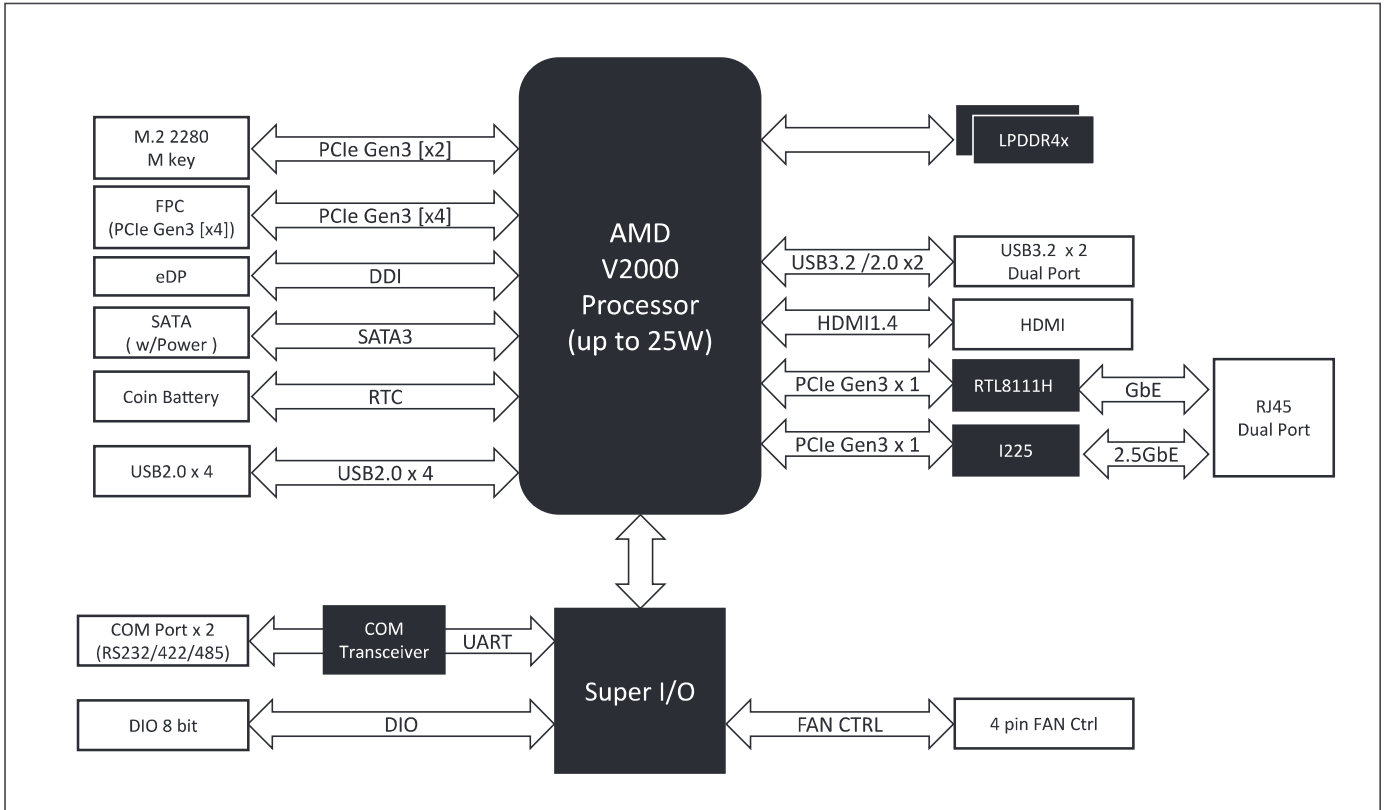
Optional Accessories

- **170X000512**
de next 40 pin cable for USB2.0 x 4, COM Port x 2, DIO 8 bit
- **170X000603**
Front Panel Cable for de next use.Length 10 cm
- **1709070200**
SATA Cable,180D.Length 20cm
- **170X000322**
SATA Power Cable.Length 6cm
- **DENEXT-FAN01**
CPU cooler for de next-TGU8 / de next-V2K8

Packing List

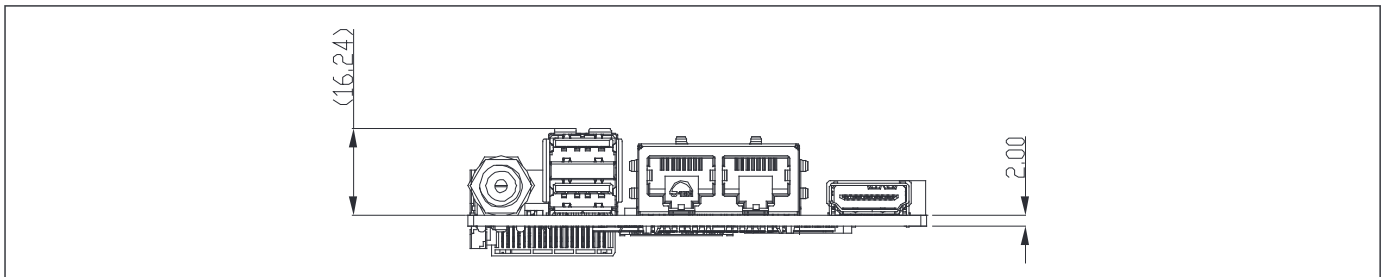
- de next-V2K8 x 1
- Copper Stud.M2.5 x 4

Block Diagram



Dimension

Unit: mm



Ordering Information

PART NUMBER	CPU	MEMORY	THERMAL	DISPLAY	STORAGE	LAN	USB	RS-232	RS-232/422/485	EXPANSION SLOT	POWER	OPERATING TEMP	OTHERS
DENEXT-V2K8-A10-0001	V2718	Onboard LPDDR4x 16GB	Fan	eDP x 1, HDMI x 1	SATA3 x 1	2.5GbE x 1, GbE x 1	USB 3.2 Gen 2 x 2, USB 2.0 x 4	—	2	M.2 M key 2280 x 1	+12V in (DC Jack)	0°C ~ 60°C	DIO 8 bit
DENEXT-V2K8-A10-0002	V2516	Onboard LPDDR4x 16GB	Fan	eDP x 1, HDMI x 1	SATA3 x 1	2.5GbE x 1, GbE x 1	USB 3.2 Gen 2 x 2, USB 2.0 x 4	—	2	M.2 M key 2280 x 1	+12V in (DC Jack)	0°C ~ 60°C	DIO 8 bit